

## BRK Series



700D3V Back Panel



6 COM ver.( 270A3I )



LCM ver. ( 700D3V / 270D3I )



2.5" HDD ver.



3.5" HDD ver.

### Compact design for 3.5" SBC, excellent cooling function

**Application :**  
Network device, VPN, Firewall

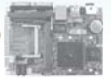
**Technical Data :**

. Dimension	52 H x 187 W x 130 D ( 2.5" HDD ver. )
. Dimension	73 H x 187 W x 130 D ( 3.5" HDD ver. )
. Dimension	80 H x 187 W x 130 D ( 6 COM ver. )
. Material	Aluminum
. Color	Blue & Silver
. VESA Mounting	75 x 75 mm
. Weight ( Incl. M/B )	1.3 Kgs ( 2.5" HDD ver. )
	1.6 Kgs ( 3.5" HDD ver. )
	1.8 Kgs ( 6 COM ver. )
. Storage Space	2.5" HDD or 3.5" HDD
. Operation temperature	0 ~ 45 °C ( with 2.5" HDD )
	0 ~ 55 °C ( with CF Card )

**Optional Accessory :**

- . Wall mount kit

M/B Information: ( Please refer to M/B specification )



M/B Model	Description
700A3V	1 LAN / VGA / USB
700D3V	3 LAN / VGA or COM
270A3I	Intel Atom N270, 1 LAN / VGA / COM
270D3I	Intel Atom N270, 4 LAN / VGA



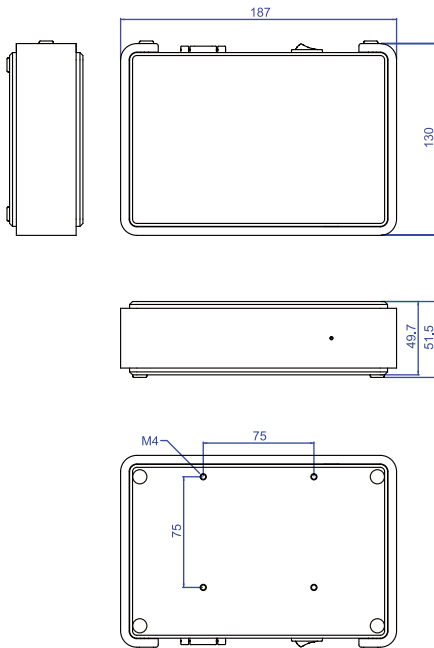
700A3V



700D3V

BRK Chassis without top-cover

**Dimension: 2.5" HDD ver.**



**Dimension: 3.5" HDD ver.**

